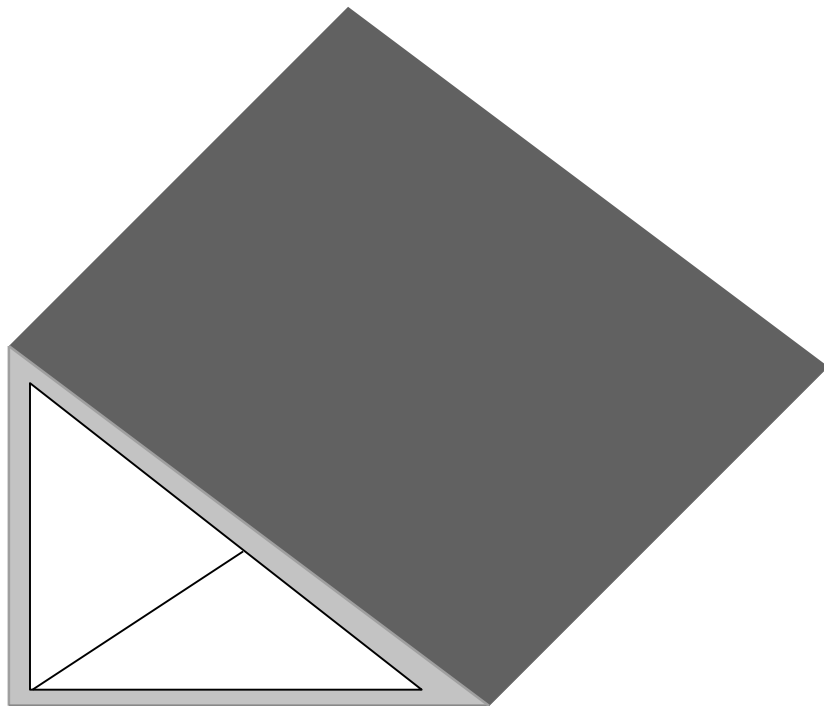


Area and Volume Worksheets

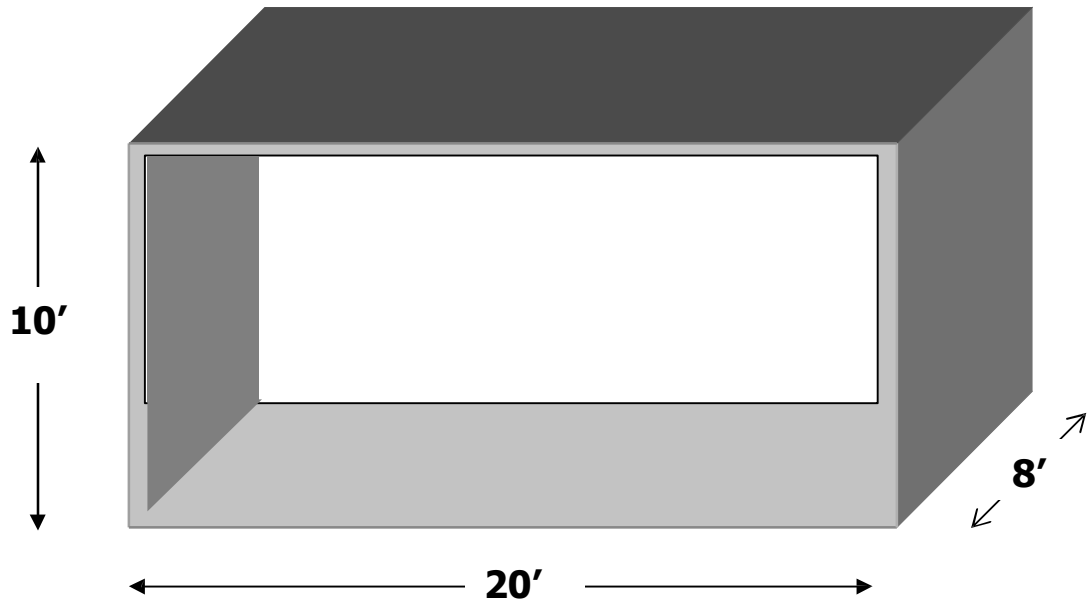
Exercise 2



Volume Calculation Worksheet – Box

Volume = L x W x H

Exercise 2

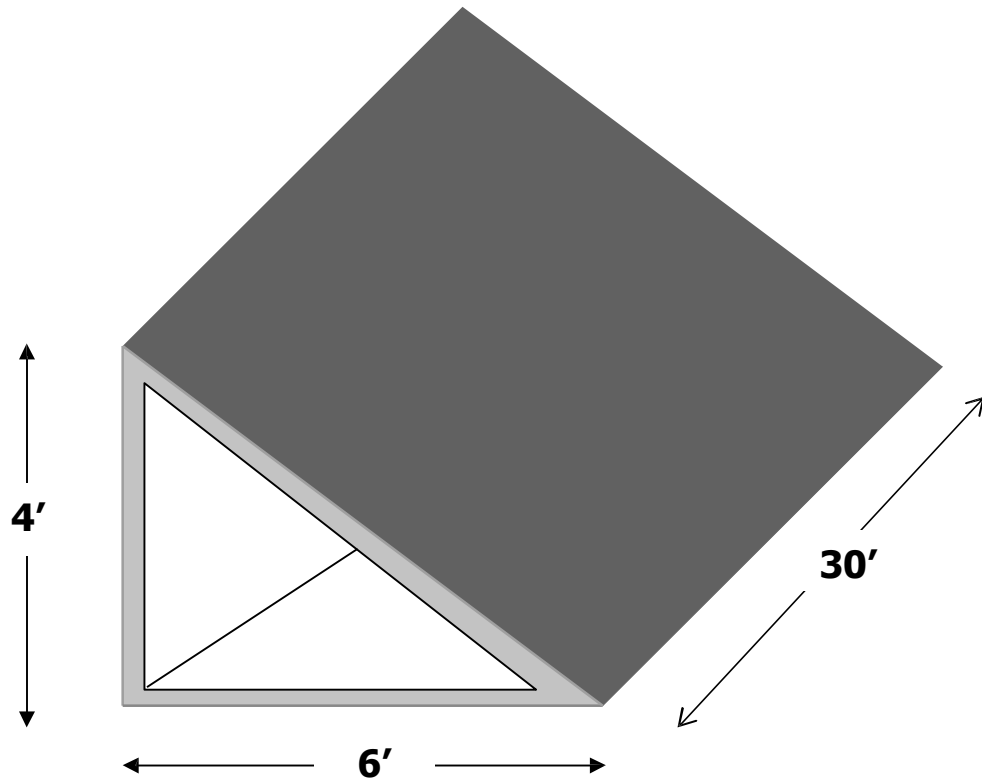


Calculate the volume below.

Volume Calculation Worksheet – Kneewall Space

Volume = $(L \times W) / 2 \times \text{height}$

Exercise 2

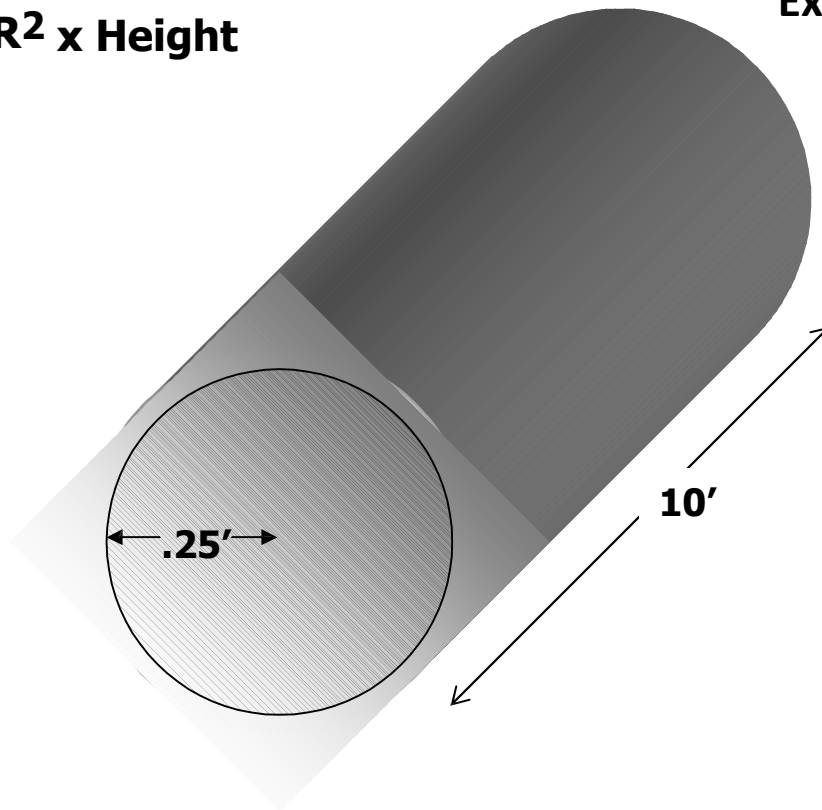


Calculate the volume below.

Volume Calculation Worksheet – Round Ductwork

Volume = $\pi R^2 \times \text{Height}$

Exercise 2



Calculate the volume below.